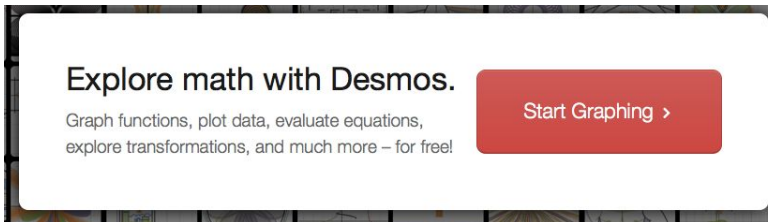


How to upload an image to

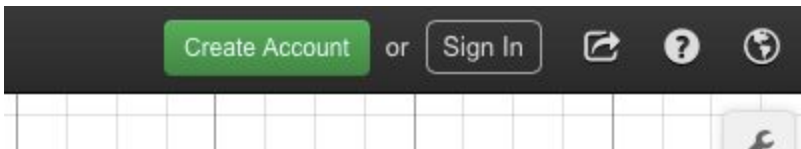


Using a browser:

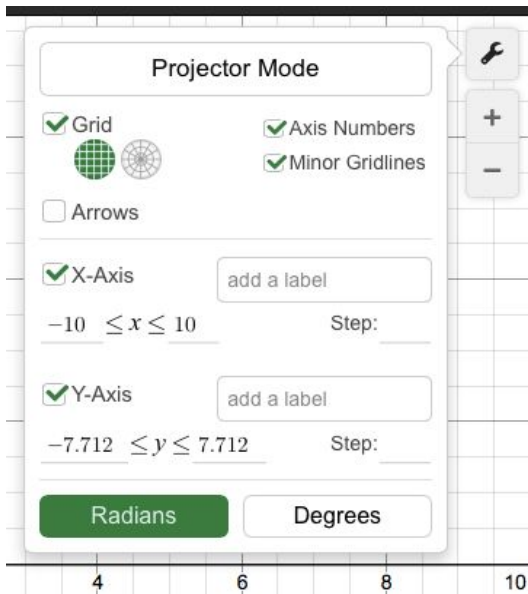
1. Go to www.desmos.com
2. Click on “Start Graphing”



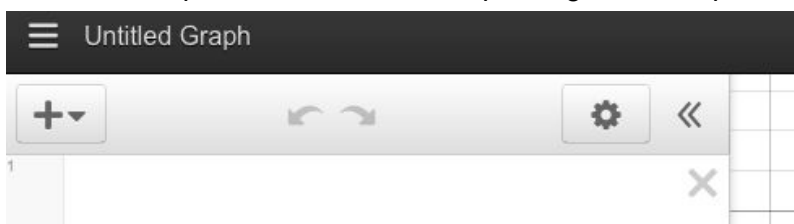
3. In order to save your work, sign in by clicking the option at the top right and use your gotvdsb gmail account.



4. Set your axes to your desired range of values by clicking on the wrench in the top right. Projector mode is useful to make the grid lines darker on your image.



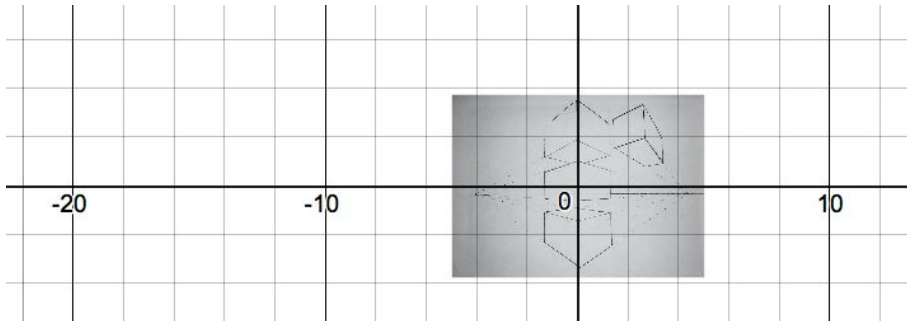
5. Select the drop down menu from the plus sign at the top left of the screen.



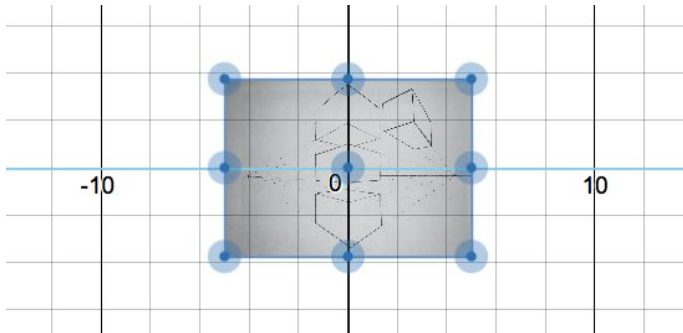
6. From the options that appear, select image and find the image on your device.



7. Your image will be inserted so that the centre is at (0,0).



8. To move your image, click on it and use the centre circle. To resize your image, drag it from the corners.



Using the App:

Open the app and follow steps 2-8. The buttons may be in slightly different locations, but they will look the same.

When you are using your image to analyze math, it will be easier to do so on an iPad, laptop or desktop. The screens on phones are too small to clearly read accurate points.